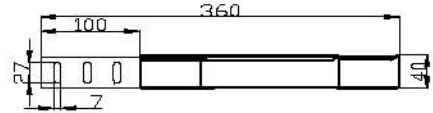
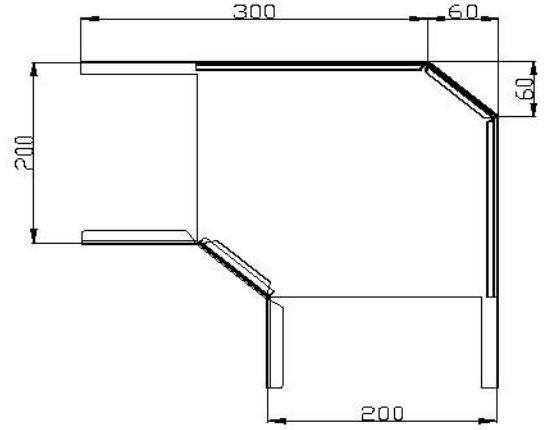
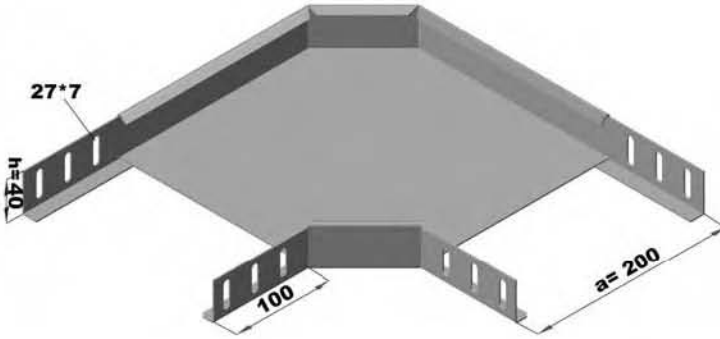


Yatay Dönüşler
Horizontal Bends

90 Radius

Sipariş Kodu Order Code	a Genişlik Width (mm)	h Yükseklik Height (mm)	e Kalınlık Thickness (mm)	Ağırlık Weight (kg/ad)
KRC050AKD4015	50	40	1.5	0.655
KRC100AKD4015	100	40	1.5	0.891
KRC150AKD4015	150	40	1.5	1.185
KRC200AKD4015	200	40	1.5	1.538
KRC250AKD4015	250	40	1.5	1.951
KRC300AKD4020	300	40	2	3.229
KRC400AKD4020	400	40	2	4.720
KRC500AKD4020	500	40	2	6.526
KRC600AKD4020	600	40	2	8.645

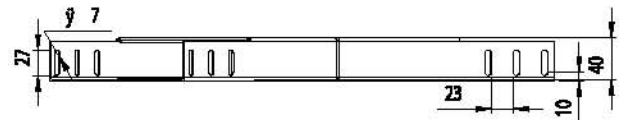
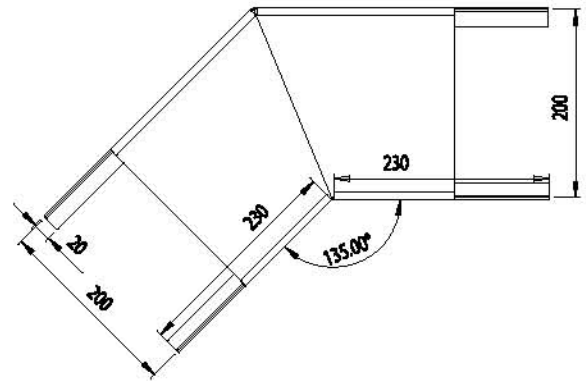
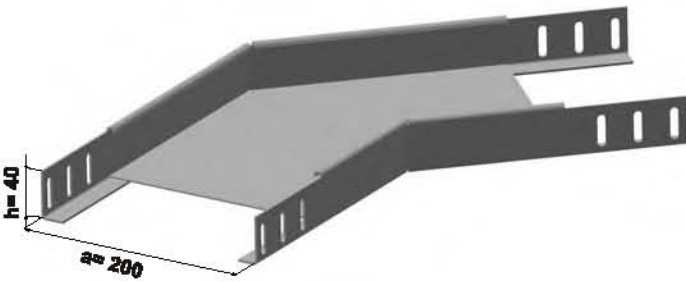
KRC200AKD4015



135 Radius

Sipariş Kodu Order Code	a Genişlik Width (mm)	h Yükseklik Height (mm)	e Kalınlık Thickness (mm)	Ağırlık Weight (kg/ad)
KRC050AKD4015R135	50	40	1.5	0.541
KRC100AKD4015R135	100	40	1.5	0.856
KRC150AKD4015R135	150	40	1.5	1.290
KRC200AKD4015R135	200	40	1.5	1.841
KRC250AKD4015R135	250	40	1.5	2.509
KRC300AKD4020R135	300	40	2	4.395
KRC400AKD4020R135	400	40	2	6.963
KRC500AKD4020R135	500	40	2	10.160
KRC600AKD4020R135	600	40	2	13.984

KRC200AKD4015R135

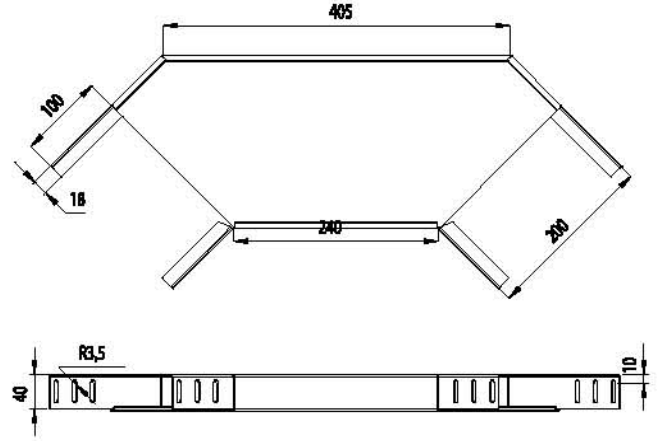
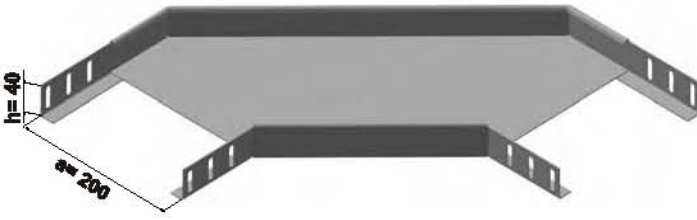


Yatay Dönüşler Horizontal Bends

300 Radius

Sipariş Kodu Order Code	a Genişlik Width (mm)	h Yükseklik Height (mm)	e Kalınlık Thickness (mm)	Ağırlık Weight (kg/ad)
KRC050AKD4015R300	50	40	1.5	0.917
KRC100AKD4015R300	100	40	1.5	1.243
KRC150AKD4015R300	150	40	1.5	1.652
KRC200AKD4015R300	200	40	1.5	2.143
KRC250AKD4015R300	250	40	1.5	2.716
KRC300AKD4020R300	300	40	2	4.496
KRC400AKD4020R300	400	40	2	6.575
KRC500AKD4020R300	500	40	2	9.093
KRC600AKD4020R300	600	40	2	12.051

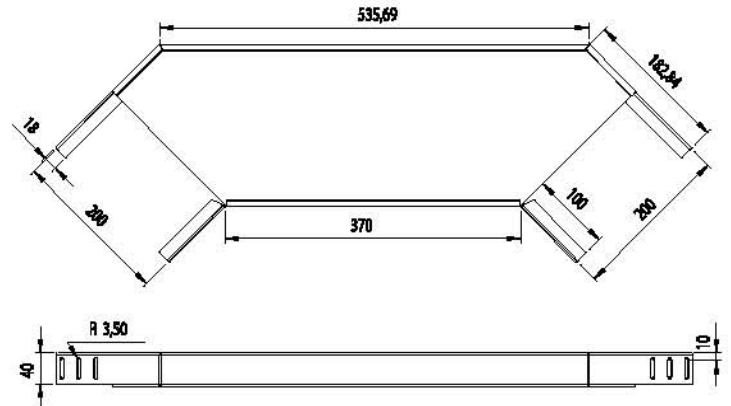
KRC200AKD4015R300



450 Radius

Sipariş Kodu Order Code	a Genişlik Width (mm)	h Yükseklik Height (mm)	e Kalınlık Thickness (mm)	Ağırlık Weight (kg/ad)
KRC050AKD4015R450	50	40	1.5	1.190
KRC100AKD4015R450	100	40	1.5	1.590
KRC150AKD4015R450	150	40	1.5	2.072
KRC200AKD4015R450	200	40	1.5	2.636
KRC250AKD4015R450	250	40	1.5	3.283
KRC300AKD4020R450	300	40	20	5.351
KRC400AKD4020R450	400	40	20	7.625
KRC500AKD4020R450	500	40	20	10.340
KRC600AKD4020R450	600	40	20	13.494

KRC200AKD4015R450

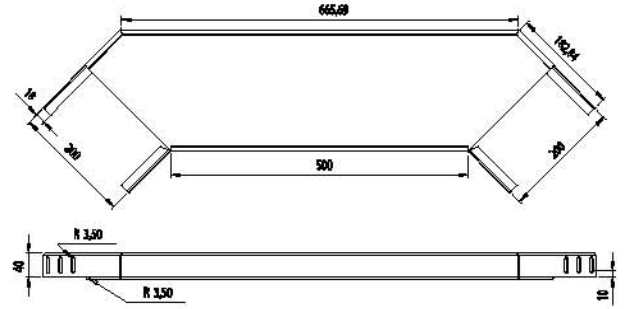
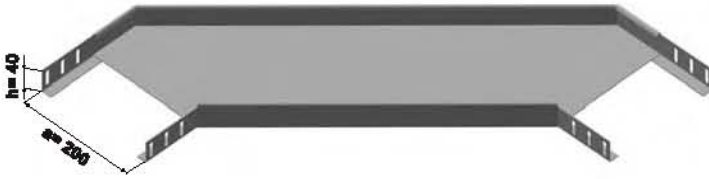


Yatay Dönüşler Horizontal Bends

600 Radius

Sipariş Kodu Order Code	a Genişlik Width (mm)	h Yükseklik Height (mm)	e Kalınlık Thickness (mm)	Ağırlık Weight (kg/ad)
KRC050AKD4015R600	50	40	1.5	1.468
KRC100AKD4015R600	100	40	1.5	1.948
KRC150AKD4015R600	150	40	1.5	2.509
KRC200AKD4015R600	200	40	1.5	3.153
KRC250AKD4015R600	250	40	1.5	3.880
KRC300AKD4020R600	300	40	2	6.252
KRC400AKD4020R600	400	40	2	8.739
KRC500AKD4020R600	500	40	2	11.901
KRC600AKD4020R600	600	40	2	15.314

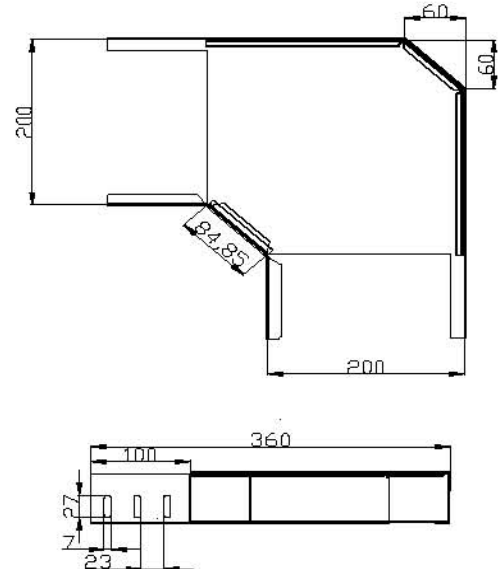
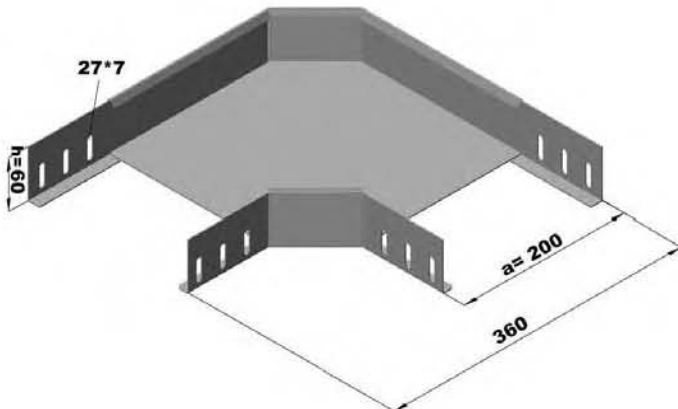
KRC200AKD4015R600



90 Radius

Sipariş Kodu Order Code	a Genişlik Width (mm)	h Yükseklik Height (mm)	e Kalınlık Thickness (mm)	Ağırlık Weight (kg/ad)
KRC050AKD6015	50	60	1.5	0.813
KRC100AKD6015	100	60	1.5	1.072
KRC150AKD6015	150	60	1.5	1.390
KRC200AKD6015	200	60	1.5	1.767
KRC250AKD6015	250	60	1.5	2.203
KRC300AKD6020	300	60	2	3.596
KRC400AKD6020	400	60	2	5.150
KRC500AKD6020	500	60	2	7.019
KRC600AKD6020	600	60	2	9.201

KRC200AKD6015

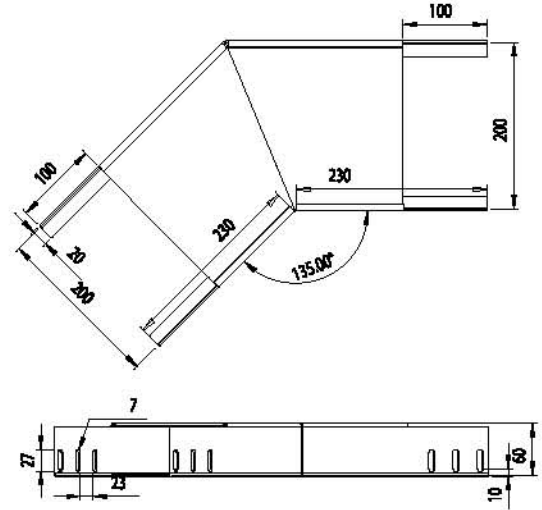
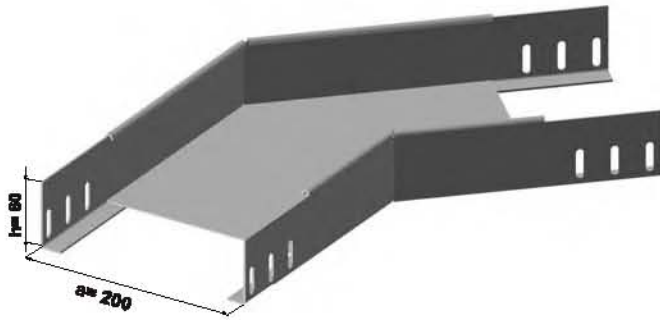


Yatay Dönüşler Horizontal Bends

135 Radius

Sipariş Kodu Order Code	a Genişlik Width (mm)	h Yükseklik Height (mm)	e Kalınlık Thickness (mm)	Ağırlık Weight (kg/ad)
KRC050AKD6015R135	50	60	1.5	0.684
KRC100AKD6015R135	100	60	1.5	1.037
KRC150AKD6015R135	150	60	1.5	1.508
KRC200AKD6015R135	200	60	1.5	2.097
KRC250AKD6015R135	250	60	1.5	2.803
KRC300AKD6020R135	300	60	2	4.837
KRC400AKD6020R135	400	60	2	7.506
KRC500AKD6020R135	500	60	2	10.803
KRC600AKD6020R135	600	60	2	14.728

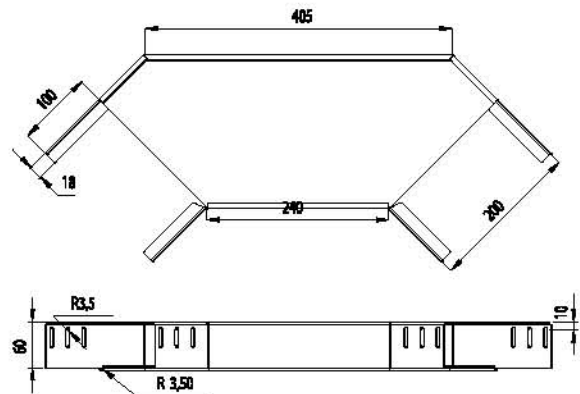
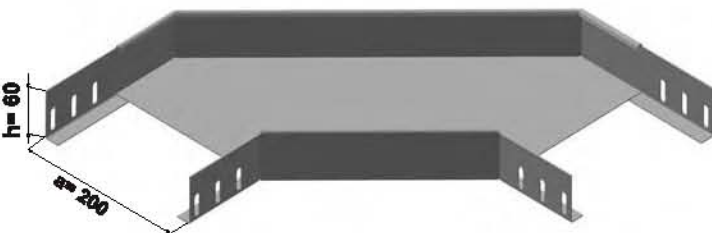
KRC200AKD6015R135



300 Radius

Sipariş Kodu Order Code	a Genişlik Width (mm)	h Yükseklik Height (mm)	e Kalınlık Thickness (mm)	Ağırlık Weight (kg/ad)
KRC050AKD6015R300	50	60	1.5	1.143
KRC100AKD6015R300	100	60	1.5	1.488
KRC150AKD6015R300	150	60	1.5	1.916
KRC200AKD6015R300	200	60	1.5	2.426
KRC250AKD6015R300	250	60	1.5	3.018
KRC300AKD6020R300	300	60	2	4.924
KRC400AKD6020R300	400	60	2	7.052
KRC500AKD6020R300	500	60	2	9.621
KRC600AKD6020R300	600	60	2	12.629

KRC200AKD6015R300

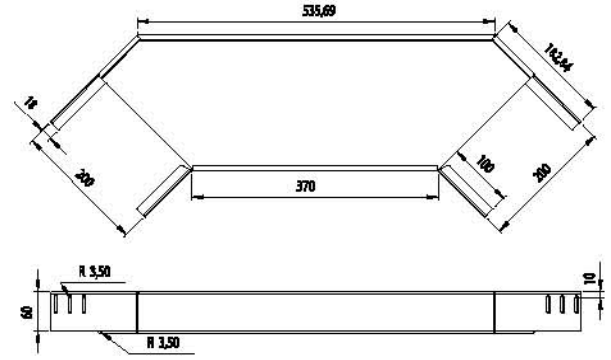
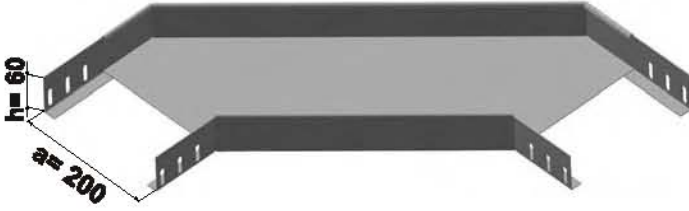


Yatay Dönüşler Horizontal Bends

450 Radius

Sipariş Kodu Order Code	a Genişlik Width (mm)	h Yükseklik Height (mm)	e Kalınlık Thickness (mm)	Ağırlık Weight (kg/ad)
KRC050AKD6015R450	50	60	1.5	1.477
KRC100AKD6015R450	100	60	1.5	1.896
KRC150AKD6015R450	150	60	1.5	2.397
KRC200AKD6015R450	200	60	1.5	2.980
KRC250AKD6015R450	250	60	1.5	3.646
KRC300AKD6020R450	300	60	2	5.859
KRC400AKD6020R450	400	60	2	8.184
KRC500AKD6020R450	500	60	2	10.949
KRC600AKD6020R450	600	60	2	14.154

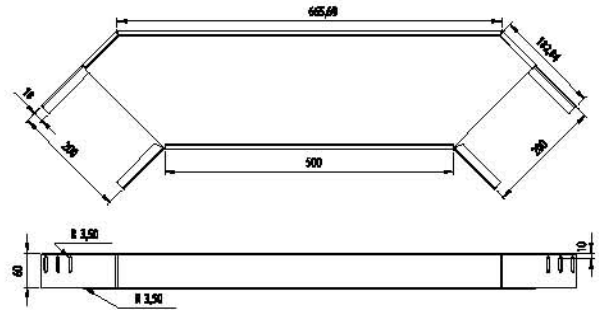
KRC200AKD6015R450



600 Radius

Sipariş Kodu Order Code	a Genişlik Width (mm)	h Yükseklik Height (mm)	e Kalınlık Thickness (mm)	Ağırlık Weight (kg/ad)
KRC050AKD6015R600	50	60	1.5	1.817
KRC100AKD6015R600	100	60	1.5	2.315
KRC150AKD6015R600	150	60	1.5	2.895
KRC200AKD6015R600	200	60	1.5	3.558
KRC250AKD6015R600	250	60	1.5	4.304
KRC300AKD6020R600	300	60	2	6.842
KRC400AKD6020R600	400	60	2	9.379
KRC500AKD6020R600	500	60	2	12.591
KRC600AKD6020R600	600	60	2	16.055

KRC200AKD6015R600

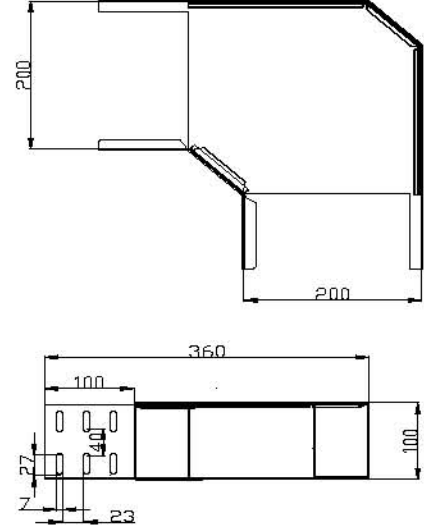
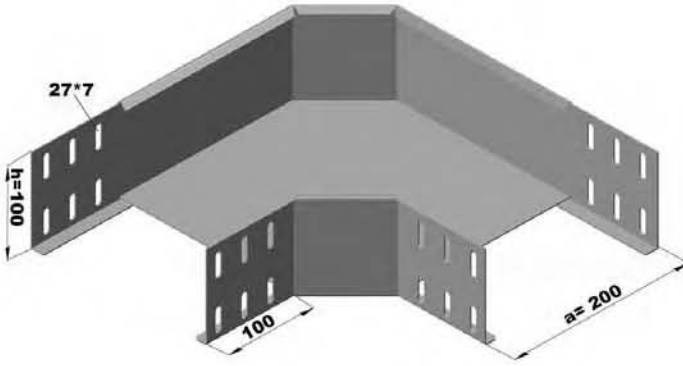


Yatay Dönüşler Horizontal Bends

90 Radius

Sipariş Kodu Order Code	a Genişlik Width (mm)	h Yükseklik Height (mm)	e Kalınlık Thickness (mm)	Ağırlık Weight (kg/ad)
KRC100AKD10015	100	100	1.5	1.435
KRC150AKD10015	150	100	1.5	1.800
KRC200AKD10015	200	100	1.5	2.224
KRC250AKD10015	250	100	1.5	2.706
KRC300AKD10020	300	100	2	4.331
KRC400AKD10020	400	100	2	6.011
KRC500AKD10020	500	100	2	8.005
KRC600AKD10020	600	100	2	10.313

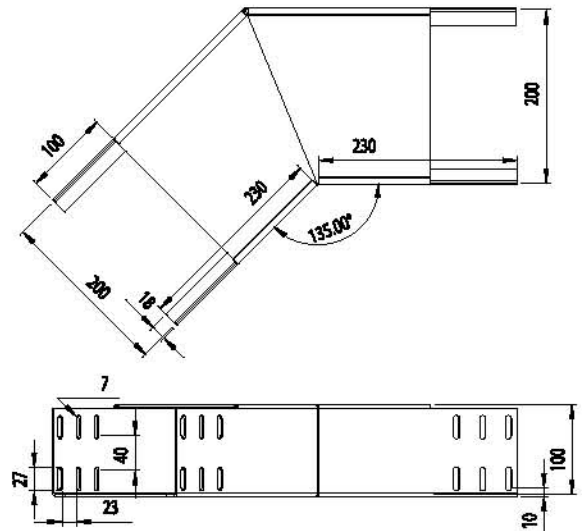
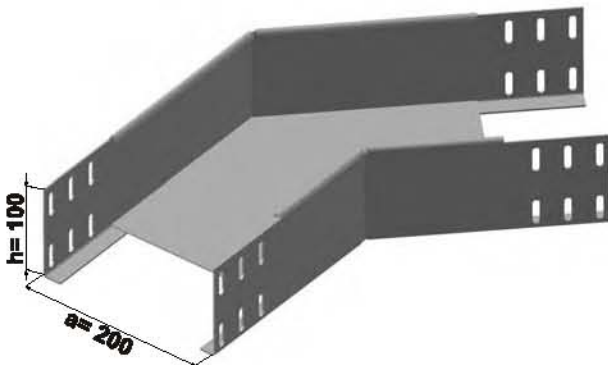
KRC200AKD10015



135 Radius

Sipariş Kodu Order Code	a Genişlik Width (mm)	h Yükseklik Height (mm)	e Kalınlık Thickness (mm)	Ağırlık Weight (kg/ad)
KRC100AKD10015R135	100	100	1.5	1.399
KRC150AKD10015R135	150	100	1.5	1.945
KRC200AKD10015R135	200	100	1.5	2.609
KRC250AKD10015R135	250	100	1.5	3.391
KRC300AKD10020R135	300	100	2	5.721
KRC400AKD10020R135	400	100	2	8.591
KRC500AKD10020R135	500	100	2	12.089
KRC600AKD10020R135	600	100	2	16.215

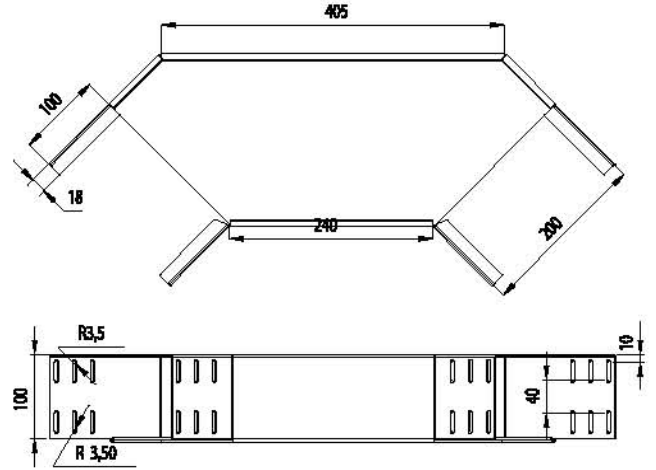
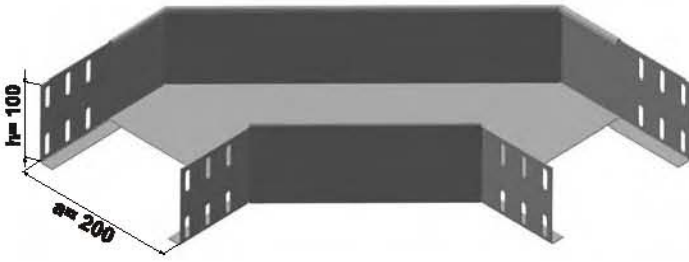
KRC200AKD10015R135



300 Radius

Sipariş Kodu Order Code	a Genişlik Width (mm)	h Yükseklik Height (mm)	e Kalınlık Thickness (mm)	Ağırlık Weight (kg/ad)
KRC100AKD10015R300	100	100	1.5	1.978
KRC150AKD10015R300	150	100	1.5	2.443
KRC200AKD10015R300	200	100	1.5	2.991
KRC250AKD10015R300	250	100	1.5	3.621
KRC300AKD10020R300	300	100	2	5.778
KRC400AKD10020R300	400	100	2	8.007
KRC500AKD10020R300	500	100	2	10.676
KRC600AKD10020R300	600	100	2	13.785

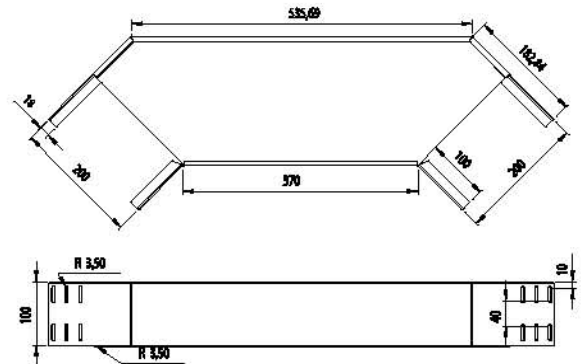
KRC200AKD10015R300



450 Radius

Sipariş Kodu Order Code	a Genişlik Width (mm)	h Yükseklik Height (mm)	e Kalınlık Thickness (mm)	Ağırlık Weight (kg/ad)
KRC100AKD10015R450	100	100	1.5	2.508
KRC150AKD10015R450	150	100	1.5	3.047
KRC200AKD10015R450	200	100	1.5	3.668
KRC250AKD10015R450	250	100	1.5	4.371
KRC300AKD10020R450	300	100	2	6.877
KRC400AKD10020R450	400	100	2	9.302
KRC500AKD10020R450	500	100	2	12.168
KRC600AKD10020R450	600	100	2	15.472

KRC200AKD10015R450

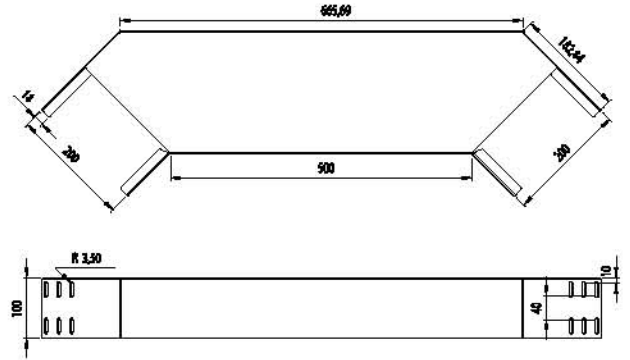


Yatay Dönüşler Horizontal Bends

600 Radius

Sipariş Kodu Order Code	a Genişlik Width (mm)	h Yükseklik Height (mm)	e Kalınlık Thickness (mm)	Ağırlık Weight (kg/ad)
KRC100AKD10015R600	100	100	1.5	3.050
KRC150AKD10015R600	150	100	1.5	3.668
KRC200AKD10015R600	200	100	1.5	4.369
KRC250AKD10015R600	250	100	1.5	5.152
KRC300AKD10020R600	300	100	2	8.023
KRC400AKD10020R600	400	100	2	10.660
KRC500AKD10020R600	500	100	2	13.973
KRC600AKD10020R600	600	100	2	17.537

KRC200AKD10015R600

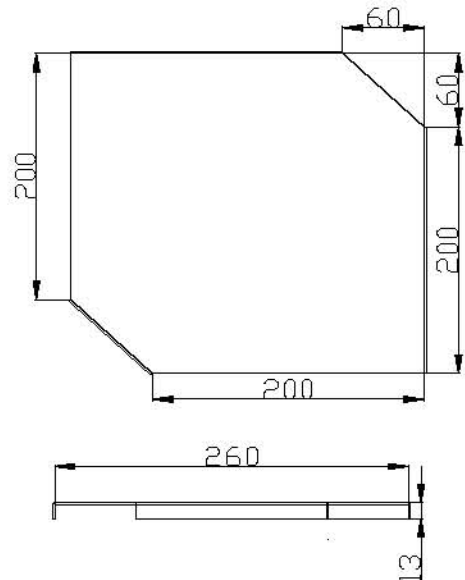
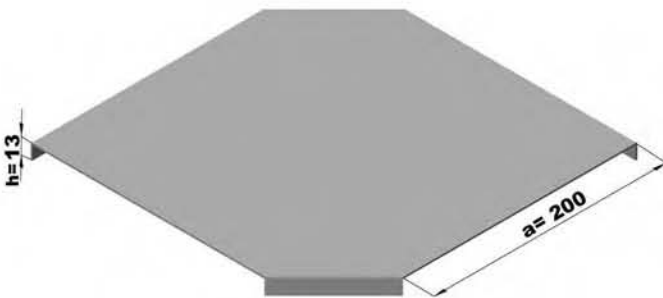


Yatay Dönüş Kapakları Horizontal Bend Covers

90 Radius

Sipariş Kodu Order Code	a Genişlik Width (mm)	h Yükseklik Height (mm)	e Kalınlık Thickness (mm)	Ağırlık Weight (kg/ad)
KRC050AKDK1315	50	13	1.5	0.184
KRC100AKDK1315	100	13	1.5	0.361
KRC150AKDK1315	150	13	1.5	0.596
KRC200AKDK1315	200	13	1.5	0.890
KRC250AKDK1315	250	13	1.5	1.224
KRC300AKDK1320	300	13	2	2.208
KRC400AKDK1320	400	13	2	3.542
KRC500AKDK1320	500	13	2	5.191
KRC600AKDK1320	600	13	2	7.153

KRC200AKDK1315

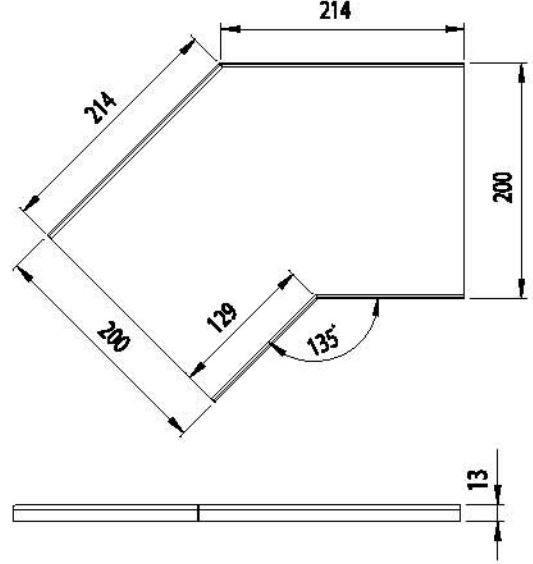
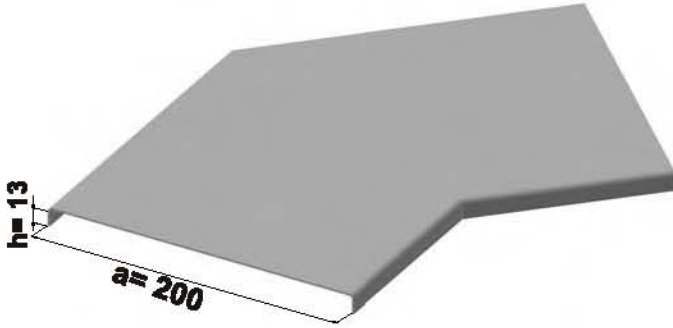


Yatay Dönüş Kapakları
Horizontal Bend Covers

135 Radius

Sipariş Kodu Order Code	a Genişlik Width (mm)	h Yükseklik Height (mm)	e Kalınlık Thickness (mm)	Ağırlık Weight (kg/ad)
KRC050AKDK1315R135	50	13	1.5	0.113
KRC100AKDK1315R135	100	13	1.5	0.336
KRC150AKDK1315R135	150	13	1.5	0.676
KRC200AKDK1315R135	200	13	1.5	1.134
KRC250AKDK1315R135	250	13	1.5	1.710
KRC300AKDK1320R135	300	13	2	3.204
KRC400AKDK1320R135	400	13	2	5.525
KRC500AKDK1320R135	500	13	2	8.473
KRC600AKDK1320R135	600	13	2	12.050

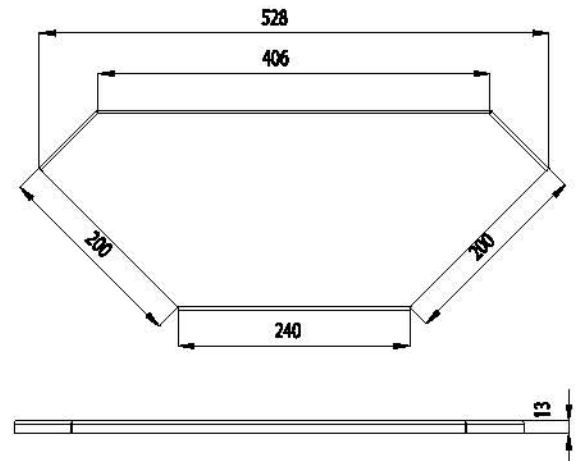
KRC200AKDK1315R135



300 Radius

Sipariş Kodu Order Code	a Genişlik Width (mm)	h Yükseklik Height (mm)	e Kalınlık Thickness (mm)	Ağırlık Weight (kg/ad)
KRC050AKDK1315R300	50	13	1.5	0.296
KRC100AKDK1315R300	100	13	1.5	0.596
KRC150AKDK1315R300	150	13	1.5	0.979
KRC200AKDK1315R300	200	13	1.5	1.444
KRC250AKDK1315R300	250	13	1.5	1.991
KRC300AKDK1320R300	300	13	2	3.495
KRC400AKDK1320R300	400	13	2	5.505
KRC500AKDK1320R300	500	13	2	7.954
KRC600AKDK1320R300	600	13	2	10.843

KRC200AKDK1315R300

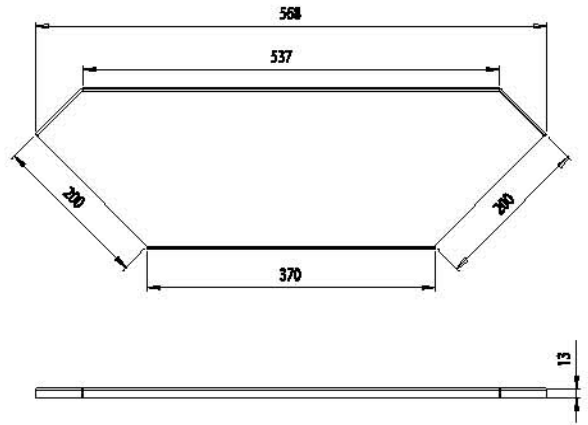


Yatay Dönüş Kapakları Horizontal Bend Covers

450 Radius

Sipariş Kodu Order Code	a Genişlik Width (mm)	h Yükseklik Height (mm)	e Kalınlık Thickness (mm)	Ağırlık Weight (kg/ad)
KRC050AKDK1315R450	50	13	1.5	0.406
KRC100AKDK1315R450	100	13	1.5	0.780
KRC150AKDK1315R450	150	13	1.5	1.236
KRC200AKDK1315R450	200	13	1.5	1.775
KRC250AKDK1315R450	250	13	1.5	2.396
KRC300AKDK1320R450	300	13	2	4.133
KRC400AKDK1320R450	400	13	2	6.339
KRC500AKDK1320R450	500	13	2	8.984
KRC600AKDK1320R450	600	13	2	12.069

KRC200AKDK1315R450



600 Radius

Sipariş Kodu Order Code	a Genişlik Width (mm)	h Yükseklik Height (mm)	e Kalınlık Thickness (mm)	Ağırlık Weight (kg/ad)
KRC050AKDK1315R600	50	13	1.5	0.525
KRC100AKDK1315R600	100	13	1.5	0.979
KRC150AKDK1315R600	150	13	1.5	1.515
KRC200AKDK1315R600	200	13	1.5	2.133
KRC250AKDK1315R600	250	13	1.5	2.883
KRC300AKDK1320R600	300	13	2	4.822
KRC400AKDK1320R600	400	13	2	7.240
KRC500AKDK1320R600	500	13	2	10.344
KRC600AKDK1320R600	600	13	2	13.688

KRC200AKDK1315R600

