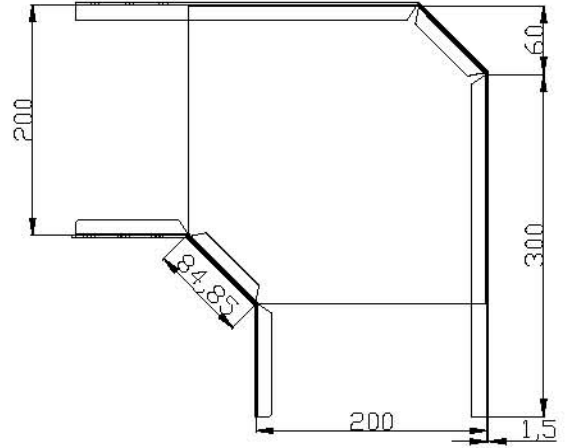


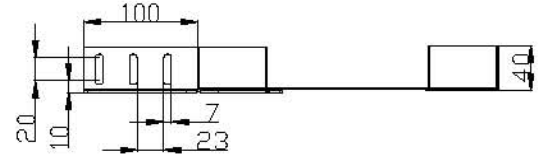
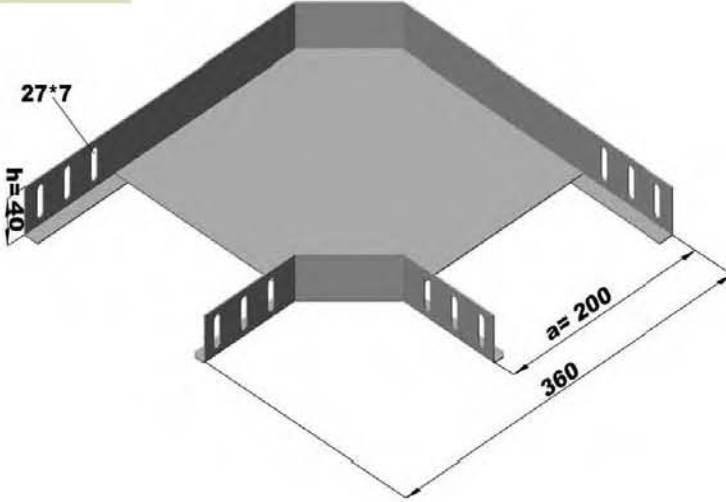
Yatay Dönüşler Horizontal Bends

90 Radius

Sipariş Kodu Order Code	a Genişlik Width (mm)	h Yükseklik Height (mm)	e Kalınlık Thickness (mm)	Ağırlık Weight (kg/ad)
KRC050NKD4015	50	40	1.5	0.576
KRC100NKD4015	100	40	1.5	0.800
KRC150NKD4015	150	40	1.5	1.083
KRC200NKD4015	200	40	1.5	1.424
KRC250NKD4015	250	40	1.5	1.825
KRC300NKD4020	300	40	2	3.045
KRC400NKD4020	400	40	2	4.505
KRC500NKD4020	500	40	2	6.279
KRC600NKD4020	600	40	2	8.367



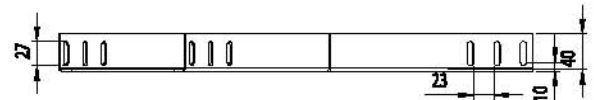
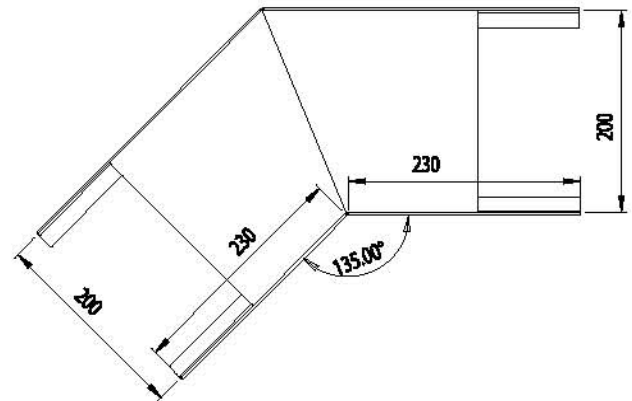
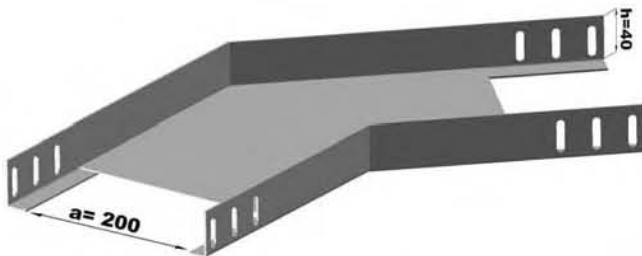
KRC200NKD4015



135 Radius

Sipariş Kodu Order Code	a Genişlik Width (mm)	h Yükseklik Height (mm)	e Kalınlık Thickness (mm)	Ağırlık Weight (kg/ad)
KRC050NKD4015R135	50	40	1.5	0.469
KRC100NKD4015R135	100	40	1.5	0.766
KRC150NKD4015R135	150	40	1.5	1.180
KRC200NKD4015R135	200	40	1.5	1.713
KRC250NKD4015R135	250	40	1.5	2.363
KRC300NKD4020R135	300	40	2	4.174
KRC400NKD4020R135	400	40	2	6.692
KRC500NKD4020R135	500	40	2	9.838
KRC600NKD4020R135	600	40	2	13.613

KRC200NKD4015R135

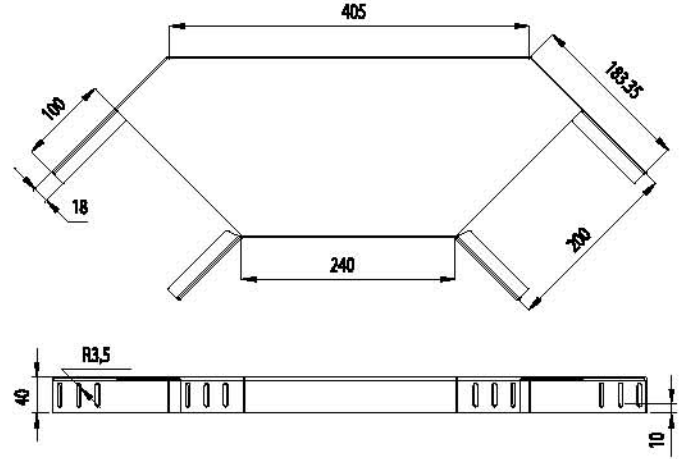
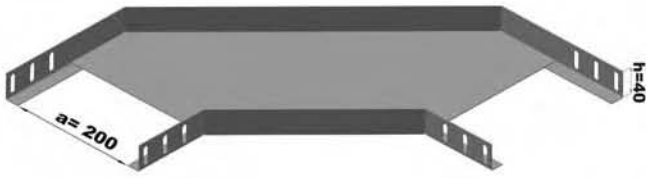


Yatay Dönüşler Horizontal Bends

300 Radius

Sipariş Kodu Order Code	a Genişlik Width (mm)	h Yükseklik Height (mm)	e Kalınlık Thickness (mm)	Ağırlık Weight (kg/ad)
KRC050NKD4015R300	50	40	1.5	0.804
KRC100NKD4015R300	100	40	1.5	1.121
KRC150NKD4015R300	150	40	1.5	1.520
KRC200NKD4015R300	200	40	1.5	2.002
KRC250NKD4015R300	250	40	1.5	2.566
KRC300NKD4020R300	300	40	2	4.283
KRC400NKD4020R300	400	40	2	6.337
KRC500NKD4020R300	500	40	2	8.830
KRC600NKD4020R300	600	40	2	11.762

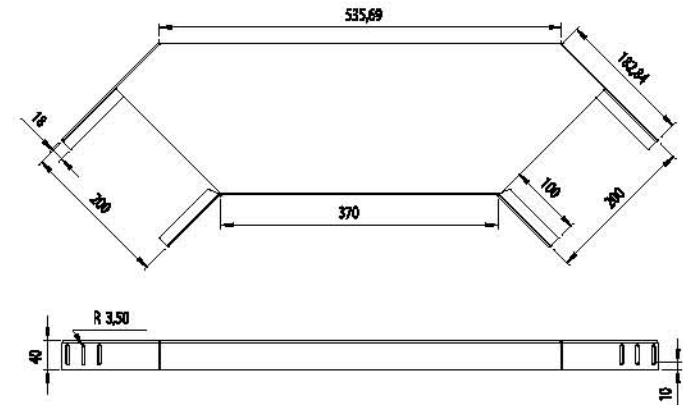
KRC200NKD4015R300



450 Radius

Sipariş Kodu Order Code	a Genişlik Width (mm)	h Yükseklik Height (mm)	e Kalınlık Thickness (mm)	Ağırlık Weight (kg/ad)
KRC050NKD4015R450	50	40	1.5	1.046
KRC100NKD4015R450	100	40	1.5	1.437
KRC150NKD4015R450	150	40	1.5	1.909
KRC200NKD4015R450	200	40	1.5	2.645
KRC250NKD4015R450	250	40	1.5	3.102
KRC300NKD4020R450	300	40	2	5.096
KRC400NKD4020R450	400	40	2	7.346
KRC500NKD4020R450	500	40	2	10.035
KRC600NKD4020R450	600	40	2	13.164

KRC200NKD4015R450

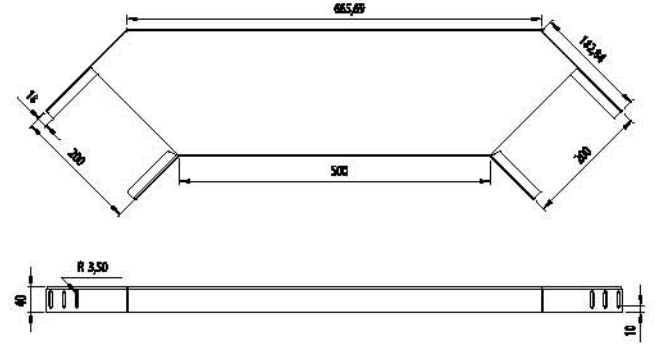


Yatay Dönüşler Horizontal Bends

600 Radius

Sipariş Kodu Order Code	a Genişlik Width (mm)	h Yükseklik Height (mm)	e Kalınlık Thickness (mm)	Ağırlık Weight (kg/ad)
KRC050NKD4015R600	50	40	1.5	1.294
KRC100NKD4015R600	100	40	1.5	1.764
KRC150NKD4015R600	150	40	1.5	2.316
KRC200NKD4015R600	200	40	1.5	2.951
KRC250NKD4015R600	250	40	1.5	3.668
KRC300NKD4020R600	300	40	2	5.957
KRC400NKD4020R600	400	40	2	8.418
KRC500NKD4020R600	500	40	2	11.555
KRC600NKD4020R600	600	40	2	14.943

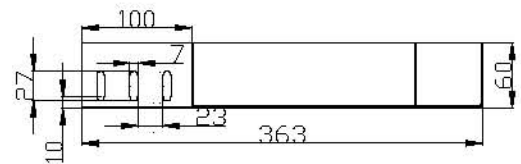
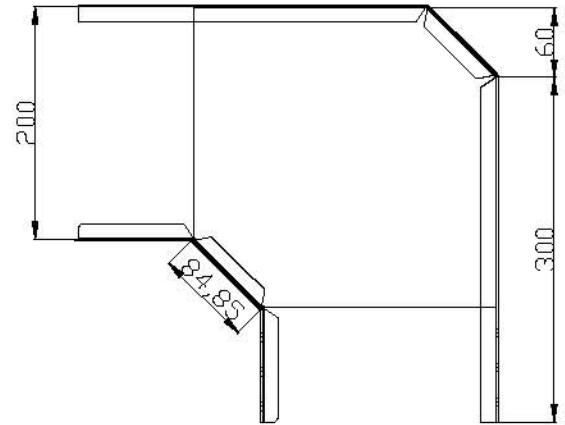
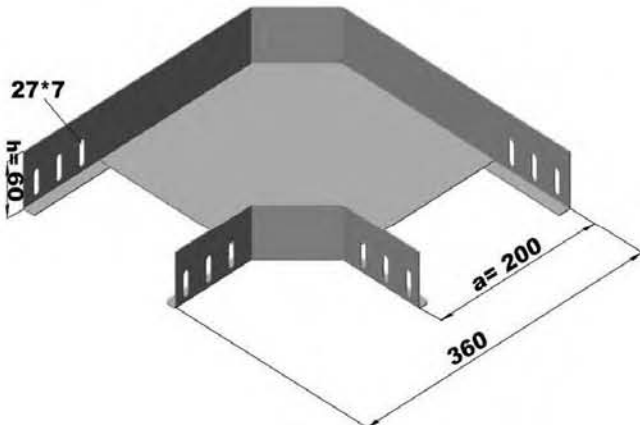
KRC200NKD4015R600



90 Radius

Sipariş Kodu Order Code	a Genişlik Width (mm)	h Yükseklik Height (mm)	e Kalınlık Thickness (mm)	Ağırlık Weight (kg/ad)
KRC050NKD6015	50	60	1.5	0.734
KRC100NKD6015	100	60	1.5	0.981
KRC150NKD6015	150	60	1.5	1.288
KRC200NKD6015	200	60	1.5	1.653
KRC250NKD6015	250	60	1.5	2.077
KRC300NKD6020	300	60	2	3.412
KRC400NKD6020	400	60	2	4.935
KRC500NKD6020	500	60	2	6.772
KRC600NKD6020	600	60	2	8.923

KRC200NKD6015

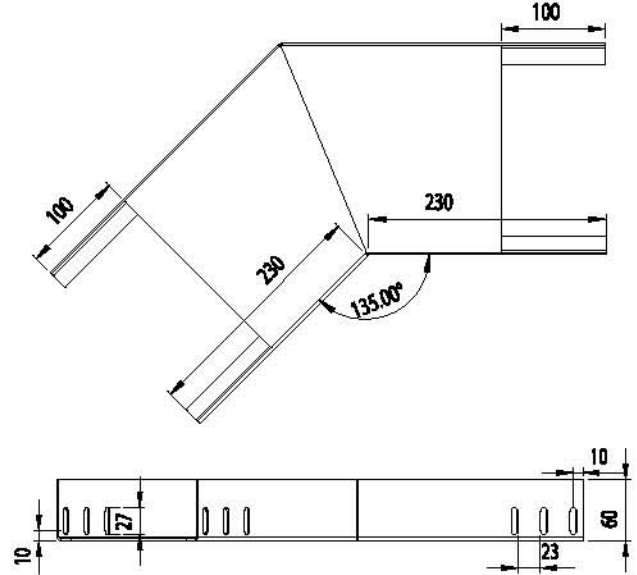
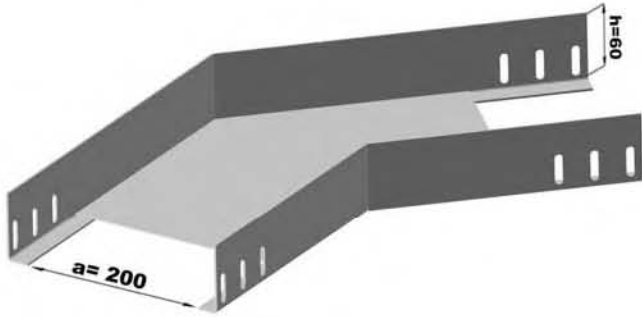


Yatay Dönüşler Horizontal Bends

135 Radius

Sipariş Kodu Order Code	a Genişlik Width (mm)	h Yükseklik Height (mm)	e Kalınlık Thickness (mm)	Ağırlık Weight (kg/ad)
KRC050NKD6015R135	50	60	1.5	0.612
KRC100NKD6015R135	100	60	1.5	0.947
KRC150NKD6015R135	150	60	1.5	1.399
KRC200NKD6015R135	200	60	1.5	1.969
KRC250NKD6015R135	250	60	1.5	2.656
KRC300NKD6020R135	300	60	2	4.616
KRC400NKD6020R135	400	60	2	7.235
KRC500NKD6020R135	500	60	2	10.481
KRC600NKD6020R135	600	60	2	14.356

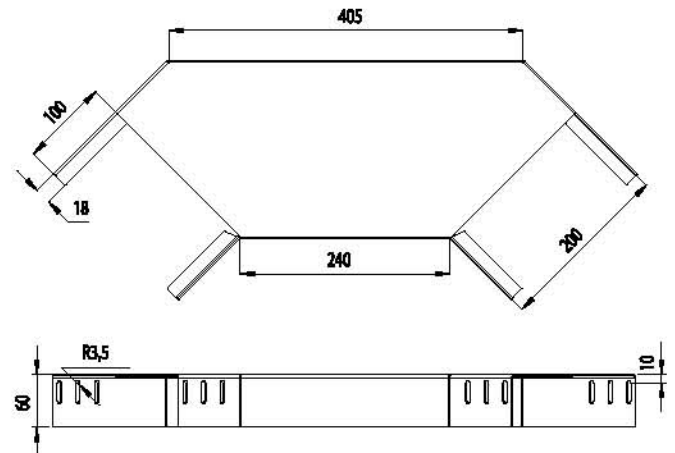
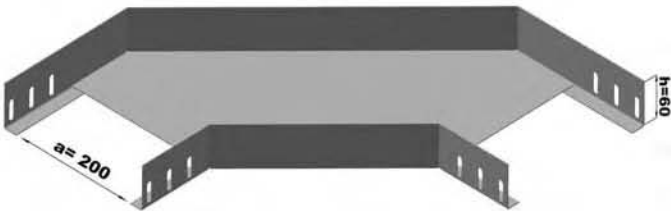
KRC200NKD6015R135



300 Radius

Sipariş Kodu Order Code	a Genişlik Width (mm)	h Yükseklik Height (mm)	e Kalınlık Thickness (mm)	Ağırlık Weight (kg/ad)
KRC050NKD6015R300	50	60	1.5	1.030
KRC100NKD6015R300	100	60	1.5	1.366
KRC150NKD6015R300	150	60	1.5	1.784
KRC200NKD6015R300	200	60	1.5	2.284
KRC250NKD6015R300	250	60	1.5	2.867
KRC300NKD6020R300	300	60	2	4.710
KRC400NKD6020R300	400	60	2	6.814
KRC500NKD6020R300	500	60	2	9.357
KRC600NKD6020R300	600	60	2	12.340

KRC200NKD6015R300

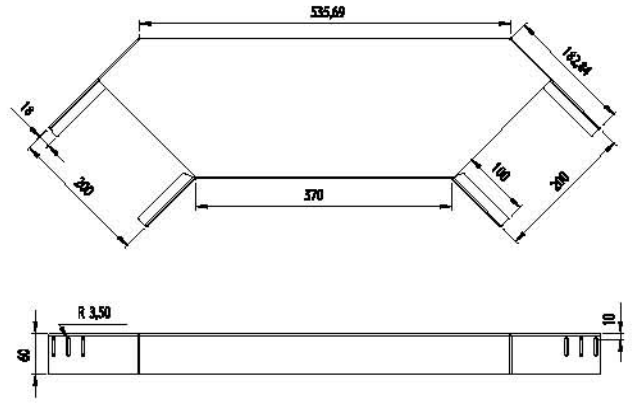
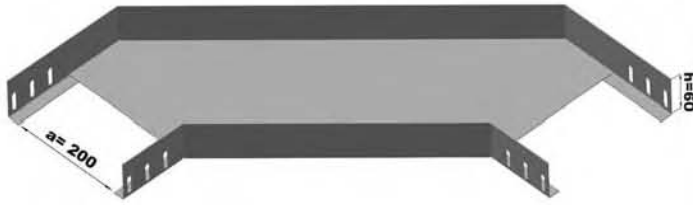


Yatay Dönüşler Horizontal Bends

450 Radius

Sipariş Kodu Order Code	a Genişlik Width (mm)	h Yükseklik Height (mm)	e Kalınlık Thickness (mm)	Ağırlık Weight (kg/ad)
KRC050NKD6015R450	50	60	1.5	1.334
KRC100NKD6015R450	100	60	1.5	1.743
KRC150NKD6015R450	150	60	1.5	2.234
KRC200NKD6015R450	200	60	1.5	2.808
KRC250NKD6015R450	250	60	1.5	3.465
KRC300NKD6020R450	300	60	2	5.605
KRC400NKD6020R450	400	60	2	7.905
KRC500NKD6020R450	500	60	2	10.645
KRC600NKD6020R450	600	60	2	13.824

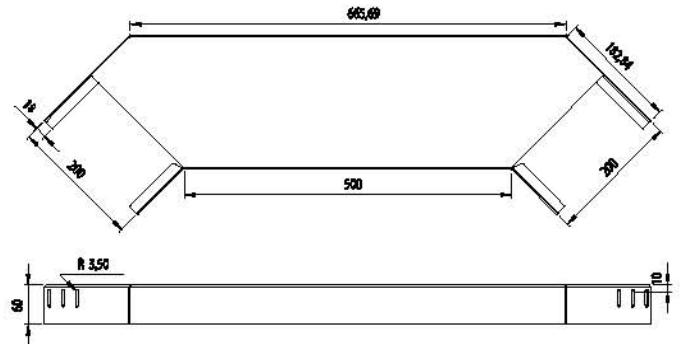
KRC200NKD6015R450



600 Radius

Sipariş Kodu Order Code	a Genişlik Width (mm)	h Yükseklik Height (mm)	e Kalınlık Thickness (mm)	Ağırlık Weight (kg/ad)
KRC050NKD6015R600	50	60	1.5	1.643
KRC100NKD6015R600	100	60	1.5	2.131
KRC150NKD6015R600	150	60	1.5	2.702
KRC200NKD6015R600	200	60	1.5	3.356
KRC250NKD6015R600	250	60	1.5	4.092
KRC300NKD6020R600	300	60	2	6.547
KRC400NKD6020R600	400	60	2	9.059
KRC500NKD6020R600	500	60	2	12.246
KRC600NKD6020R600	600	60	2	15.684

KRC200NKD6015R600

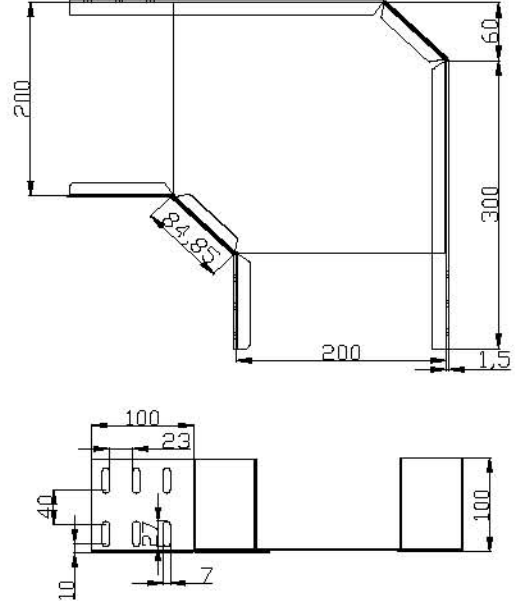
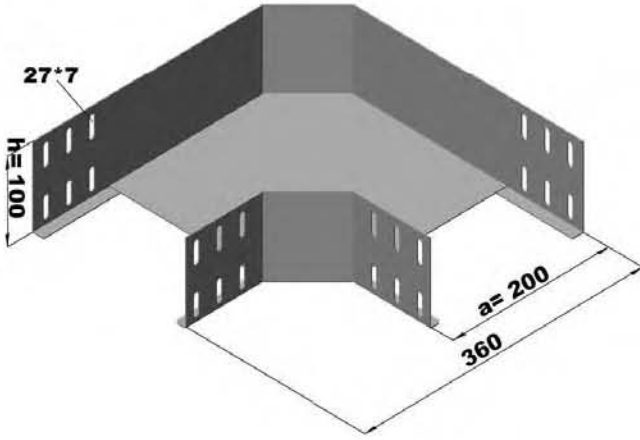


Yatay Dönüşler
Horizontal Bends

90 Radius

Sipariş Kodu Order Code	a Geniçlik Width (mm)	h Yükseklik Height (mm)	e Kalınlık Thickness (mm)	Ağırlık Weight (kg/ad)
KRC100NKD10015	100	100	1.5	1.344
KRC150NKD10015	150	100	1.5	1.697
KRC200NKD10015	200	100	1.5	2.109
KRC250NKD10015	250	100	1.5	2.580
KRC300NKD10020	300	100	2	4.147
KRC400NKD10020	400	100	2	5.796
KRC500NKD10020	500	100	2	7.758
KRC600NKD10020	600	100	2	10.035

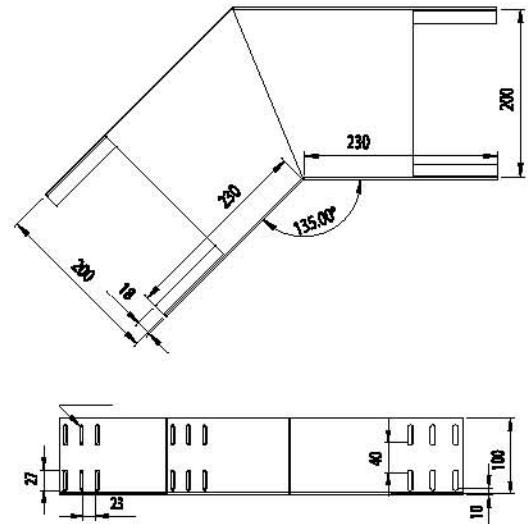
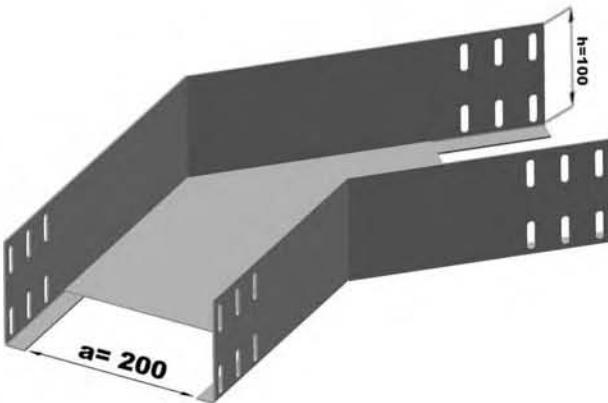
KRC200NKD10015



135 Radius

Sipariş Kodu Order Code	a Geniçlik Width (mm)	h Yükseklik Height (mm)	e Kalınlık Thickness (mm)	Ağırlık Weight (kg/ad)
KRC100NKD10015R135	100	100	1.5	1.308
KRC150NKD10015R135	150	100	1.5	1.836
KRC200NKD10015R135	200	100	1.5	2.481
KRC250NKD10015R135	250	100	1.5	3.244
KRC300NKD10020R135	300	100	2	5.500
KRC400NKD10020R135	400	100	2	8.320
KRC500NKD10020R135	500	100	2	11.767
KRC600NKD10020R135	600	100	2	15.843

KRC200NKD10015R135

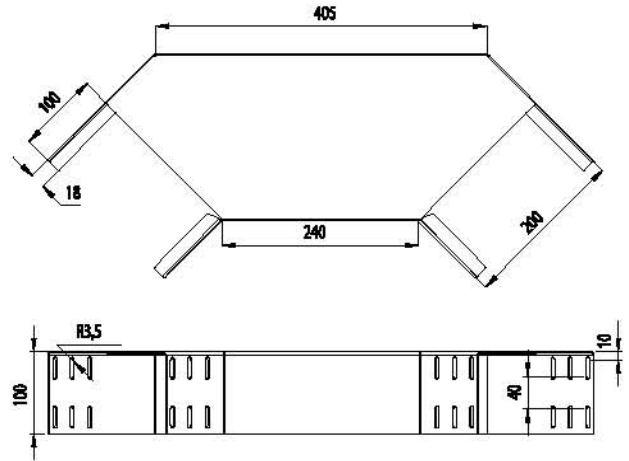


Yatay Dönüşler Horizontal Bends

300 Radius

Sipariş Kodu Order Code	a Geniçlik Width (mm)	h Yükseklik Height (mm)	e Kalınlık Thickness (mm)	Ağırlık Weight (kg/ad)
KRC100NKD10015R300	100	100	1.5	1.856
KRC150NKD10015R300	150	100	1.5	2.311
KRC200NKD10015R300	200	100	1.5	2.850
KRC250NKD10015R300	250	100	1.5	3.470
KRC300NKD10020R300	300	100	2	5.564
KRC400NKD10020R300	400	100	2	7.768
KRC500NKD10020R300	500	100	2	10.412
KRC600NKD10020R300	600	100	2	13.496

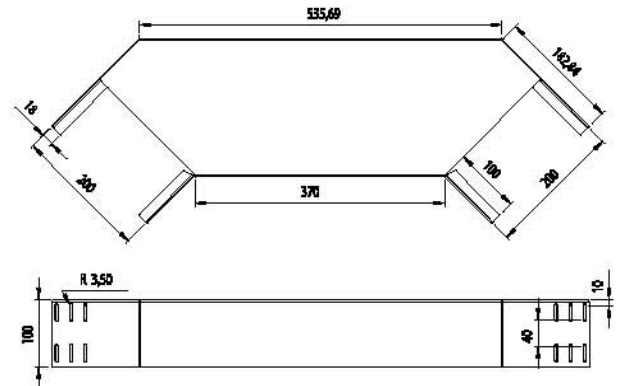
KRC200NKD10015R300



450 Radius

Sipariş Kodu Order Code	a Geniçlik Width (mm)	h Yükseklik Height (mm)	e Kalınlık Thickness (mm)	Ağırlık Weight (kg/ad)
KRC100NKD10015R450	100	100	1.5	2.355
KRC150NKD10015R450	150	100	1.5	2.884
KRC200NKD10015R450	200	100	1.5	3.496
KRC250NKD10015R450	250	100	1.5	4.190
KRC300NKD10020R450	300	100	2	6.622
KRC400NKD10020R450	400	100	2	9.023
KRC500NKD10020R450	500	100	2	11.863
KRC600NKD10020R450	600	100	2	15.143

KRC200NKD10015R450

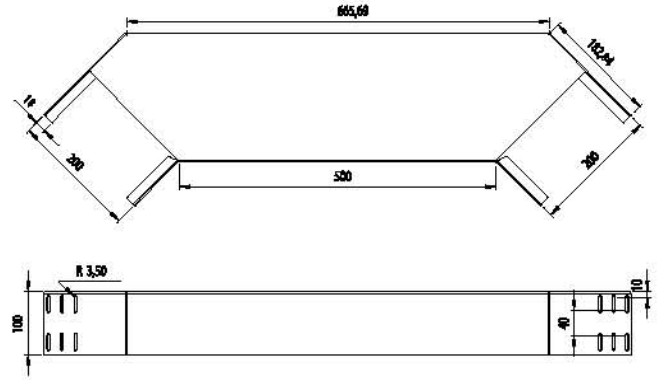
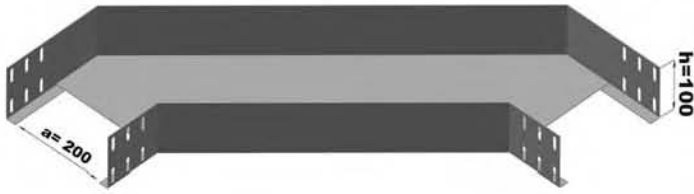


Yatay Dönüşler Horizontal Bends

600 Radius

Sipariş Kodu Order Code	a Genişlik Width (mm)	h Yükseklik Height (mm)	e Kalınlık Thickness (mm)	Ağırlık Weight (kg/ad)
KRC100NKD10015R600	100	100	1.5	2.866
KRC150NKD10015R600	150	100	1.5	3.475
KRC200NKD10015R600	200	100	1.5	4.166
KRC250NKD10015R600	250	100	1.5	4.940
KRC300NKD10020R600	300	100	2	7.728
KRC400NKD10020R600	400	100	2	10.340
KRC500NKD10020R600	500	100	2	13.628
KRC600NKD10020R600	600	100	2	17.166

KRC200NKD10015R600

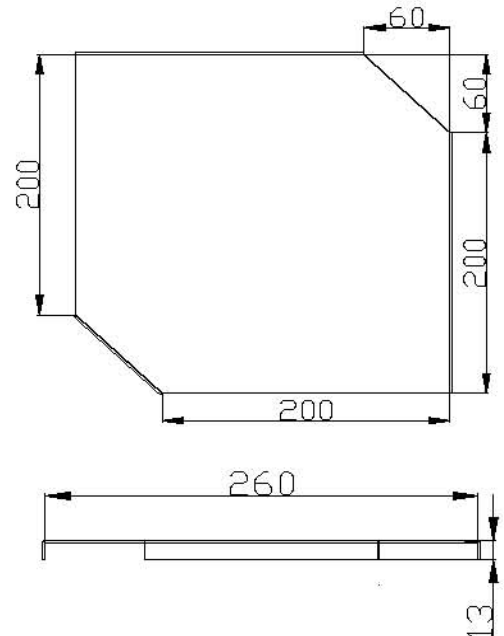
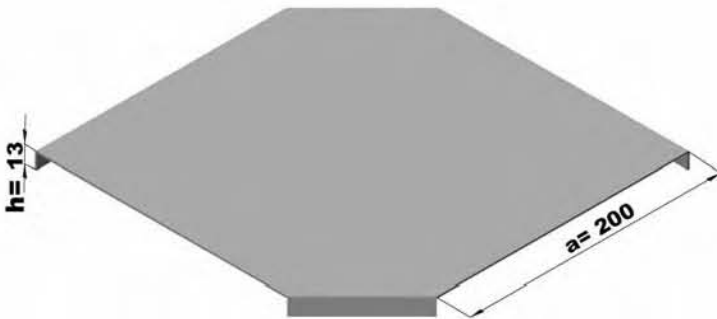


Yatay Dönüş Kapakları Horizontal Bend Covers

90 Radius

Sipariş Kodu Order Code	a Genişlik Width (mm)	h Yükseklik Height (mm)	e Kalınlık Thickness (mm)	Ağırlık Weight (kg/ad)
KRC050NKDK1310	50	13	1	0.123
KRC100NKDK1310	100	13	1	0.240
KRC150NKDK1310	150	13	1	0.397
KRC200NKDK1310	200	13	1	0.594
KRC250NKDK1310	250	13	1	0.829
KRC300NKDK1315	300	13	1.5	1.656
KRC400NKDK1315	400	13	1.5	2.657
KRC500NKDK1315	500	13	1.5	3.893
KRC600NKDK1315	600	13	1.5	5.365

KRC200NKDK1310

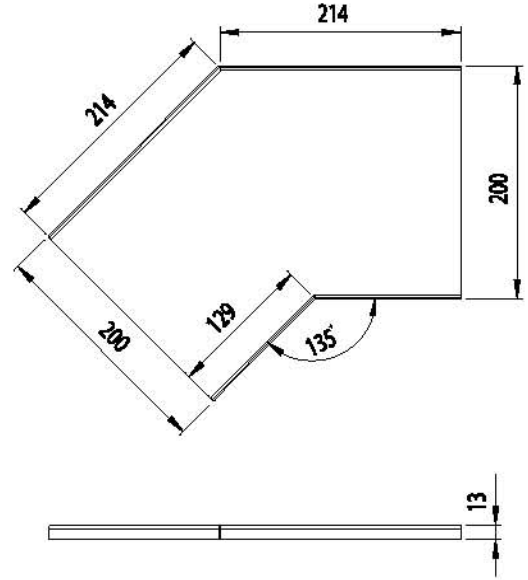
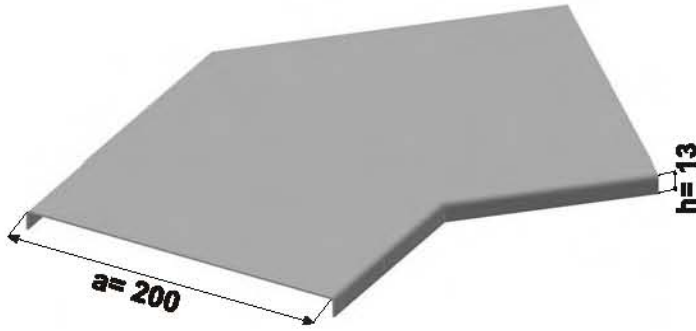


Yatay Dönüş Kapakları Horizontal Bend Covers

135 Radius

Sipariş Kodu Order Code	a Geniřlik Width (mm)	h Yükseklik Height (mm)	e Kalınlık Thickness (mm)	Ağırlık Weight (kg/ad)
KRC050NKDK1310R135	50	13	1	0.075
KRC100NKDK1310R135	100	13	1	0.224
KRC150NKDK1310R135	150	13	1	0.451
KRC200NKDK1310R135	200	13	1	0.756
KRC250NKDK1310R135	250	13	1	1.140
KRC300NKDK1315R135	300	13	1.5	2.403
KRC400NKDK1315R135	400	13	1.5	4.144
KRC500NKDK1315R135	500	13	1.5	6.355
KRC600NKDK1315R135	600	13	1.5	9.037

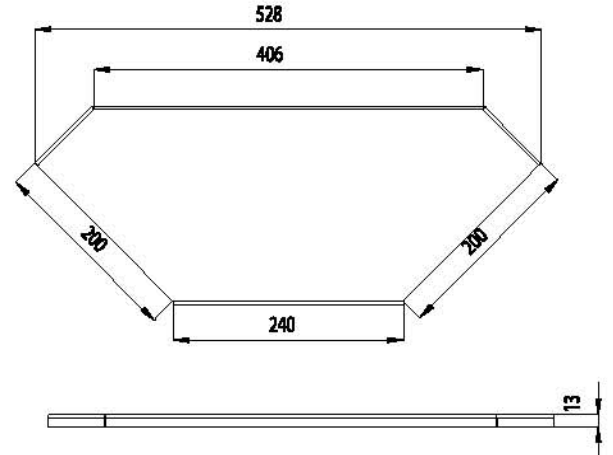
KRC200NKDK1310R135



300 Radius

Sipariş Kodu Order Code	a Geniřlik Width (mm)	h Yükseklik Height (mm)	e Kalınlık Thickness (mm)	Ağırlık Weight (kg/ad)
KRC050NKDK1310R300	50	13	1	0.197
KRC100NKDK1310R300	100	13	1	0.397
KRC150NKDK1310R300	150	13	1	0.653
KRC200NKDK1310R300	200	13	1	0.963
KRC250NKDK1310R300	250	13	1	1.328
KRC300NKDK1315R300	300	13	1.5	2.621
KRC400NKDK1315R300	400	13	1.5	4.129
KRC500NKDK1315R300	500	13	1.5	5.966
KRC600NKDK1315R300	600	13	1.5	8.132

KRC200NKDK1310R300

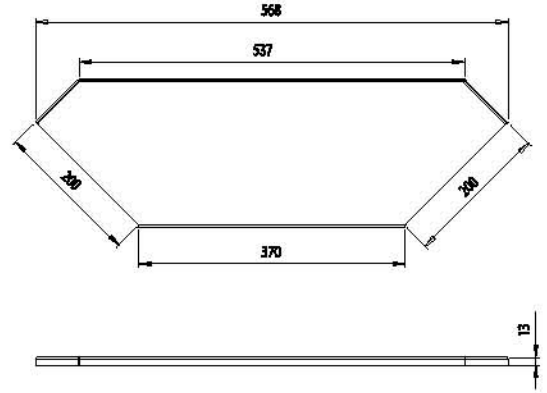


Yatay Dönüş Kapakları Horizontal Bend Covers

450 Radius

Sipariş Kodu Order Code	a Geniçlik Width (mm)	h Yükseklik Height (mm)	e Kalınlık Thickness (mm)	Ağırlık Weight (kg/ad)
KRC050NKDK1310R450	50	13	1	0.271
KRC100NKDK1310R450	100	13	1	0.520
KRC150NKDK1310R450	150	13	1	0.824
KRC200NKDK1310R450	200	13	1	1.183
KRC250NKDK1310R450	250	13	1	1.597
KRC300NKDK1315R450	300	13	1.5	3.100
KRC400NKDK1315R450	400	13	1.5	4.574
KRC500NKDK1315R450	500	13	1.5	6.738
KRC600NKDK1315R450	600	13	1.5	9.052

KRC200NKDK1310R450



600 Radius

Sipariş Kodu Order Code	a Geniçlik Width (mm)	h Yükseklik Height (mm)	e Kalınlık Thickness (mm)	Ağırlık Weight (kg/ad)
KRC050NKDK1310R600	50	13	1	0.350
KRC100NKDK1310R600	100	13	1	0.653
KRC150NKDK1310R600	150	13	1	1.010
KRC200NKDK1310R600	200	13	1	1.422
KRC250NKDK1310R600	250	13	1	1.889
KRC300NKDK1315R600	300	13	1.5	3.616
KRC400NKDK1315R600	400	13	1.5	5.430
KRC500NKDK1315R600	500	13	1.5	7.758
KRC600NKDK1315R600	600	13	1.5	10.266

KRC200NKDK1310R600

